



LUXE ATELIER

MILANO

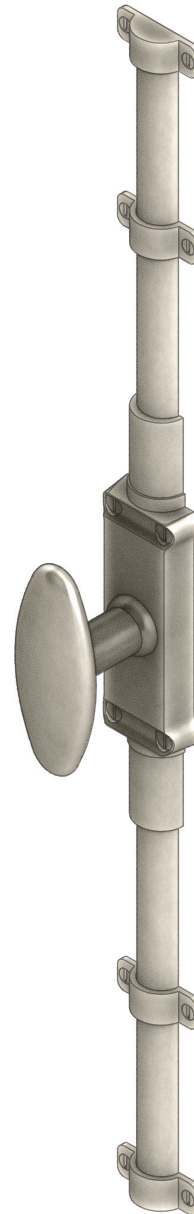
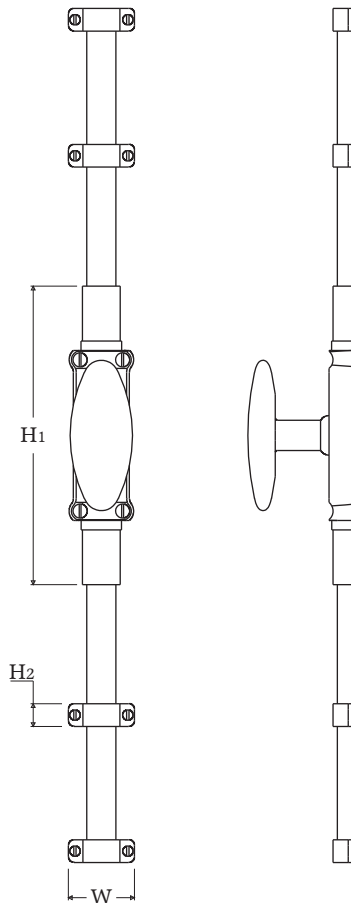


Cremonese Aste Esterne Serie 247 - 251HT
247 Series Crémone Bolt Set - 251HT

Dimensioni
Dimensions

H1	H2	W
158	12	35

Dimensioni in millimetri
Dimensions given in millimeters



Fornita con 2 aste (1250mm), 4 passanti, 2 finali e viti legno in finitura coordinata.

Disponibile in tutte le finiture standard.

Dimensioni e finiture su misura disponibili su richiesta.

Regularly furnished with 2 rods (1250mm), 4 guides, 2 strikes and wood screws in matching finish.

Additional sizes available by special order. Available in standard and custom finishes.